



DD-BASIC EM TUMBLE DRYERS

DD-23 / 28 / 35



EM PROGRAMMER

Easy-to-use electronic control with push buttons to control temperature and time



OUTSTANDING FEATURES

Reversing drum action as standard
Galvanized drum as standard
Frequency inverter as standard



EFFICIENCY

Big fluff filter



VERSATILITY

Make to order - customisation
OPL > Multivending - Standard OPL model easily transformable to coin laundry uses



ERGONOMICS

Drawer as fluff filter, made of stainless steel
Biggest door diameters
Opening sense of door adjustable on site



MAINTENANCE

Hinged panel: easy and ergonomic access
Technical menu: statistics, alarm, autotest, data recovery for technicians and maintenance with external console

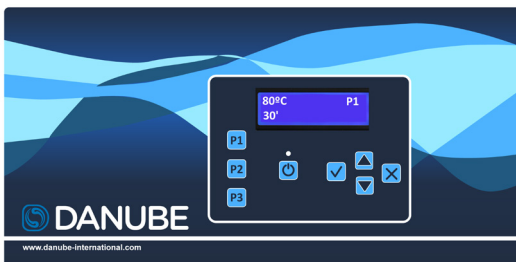


OTHERS

White painted panels
Transmission by direct drive
COOL DOWN - anti-wrinkle at the end of the cycle
Electric or gas heating
CE approved



EM programmer + new display



OPTIONS

- New display for EM programmer
- Reverse door opening
- Rear panel with external air inlet + filter
- Stainless steel outer casing
- Stainless steel front panel



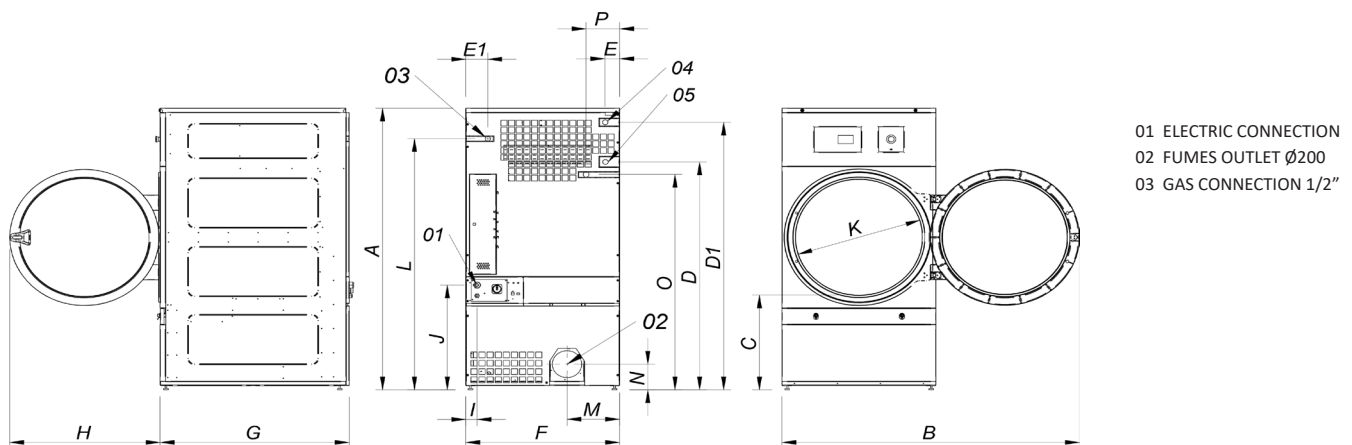
Intertek



Intertek

TECHNICAL DATA	UNIT.	DD-23 BASIC EM	DD-28 BASIC EM	DD-35 BASIC EM			
CAPACITY							
Capacity 1/18	Kg	26	31	37			
Capacity 1/20	Kg	23	28	33			
Hourly Output BASIC*	Kg/h	35-33	56-53	70-65			
Evaporation capacity BASIC*	l/h	16,30	30,90	32,10			
DRUM							
Ø Drum	mm	750	947	947			
Ø Door	mm	574	802	802			
Door center height	mm	976	1.040	1.040			
Load hole bottom height	mm	689	640	640			
Drum length	mm	746	780	936			
Drum volume	l	330	550	660			
POWER							
Drum motor power	Kw	0,37	0,55	0,55			
Fan motor power BASIC	Kw	0,25	0,55	0,55			
Electric heating power ALL RANGES	Kw	18	30	36			
Total electric power (elec.model) BASIC	Kw	18,67	31,15	37,15			
Gas heating power ALL RANGES	Kw	20,51	41	41			
Total electric power (gas model) BASIC	Kw	0,67	1,15	1,15			
Gas heating power ALL RANGES	Kw	-	-	-			
Elect. heating power (gas model) BASIC	Kw	-	-	-			
CONNECTIONS		ELECTRICAL	GAS	ELECTRICAL	GAS	ELECTRICAL	GAS
Tension 230V - I + N + T	N° x mm2 / A	-	3 x 1,5 / 20A	-	3 x 1,5 / 20A	-	3 x 1,5 / 20A
Tension 230V - III + T	N° x mm2 / A	4 x 16 / 63A	3 x 1,5 / 20A	4 x 35 / 100A	3 x 1,5 / 20A	4 x 50 / 125A	3 x 1,5 / 20A
Tension 400V - III + N + T	N° x mm2 / A	5 x 10 / 32A	3 x 1,5 / 20A	5 x 16 / 63A	3 x 1,5 / 20A	5 x 16 / 63A	3 x 1,5 / 20A
Ø Gas inlet	BSP	1/2"		1/2"		1/2"	
DIMENSIONS / PACKING DIMENSIONS							
Net width / Gross width	mm	890 / 970		985 / 1.065		985 / 1.065	
Net Depth / Gross Depth	mm	1.255 / 1.345		1.054 / 1.154		1.210 / 1.310	
Net Height / Gross Height	mm	1.812 / 1.940		1.946 / 2.080		1.946 / 2.080	
Height without heating battery	mm	-		-		-	
Net weight / Gross weight	Kg	210 / 230		230 / 260		260 / 285	
OTHERS							
Max airflow BASIC	m3/h	850		1.200		1.200	
Ø Fume exhaust	mm	200		200		200	
Sound level BASIC	dB	65		65		65	

* It may vary depending on the type of heating, filter cleanliness or extraction type.



	A	B	C	D	D1	E	E1	F	G	H	I	J	K	L	M	N	O	P
DD-23	1812	1552	742	1430	1532	112	55	890	1255	735	95	920	575	1344	238	180	885	65
DD-28	1946	1910	660	1590	1875	102	130	985	1054	970	70	730	802	1760	337	178	1510	215
DD-35	1946	1910	660	1590	1875	102	130	985	1210	970	70	730	802	1760	337	178	1510	215